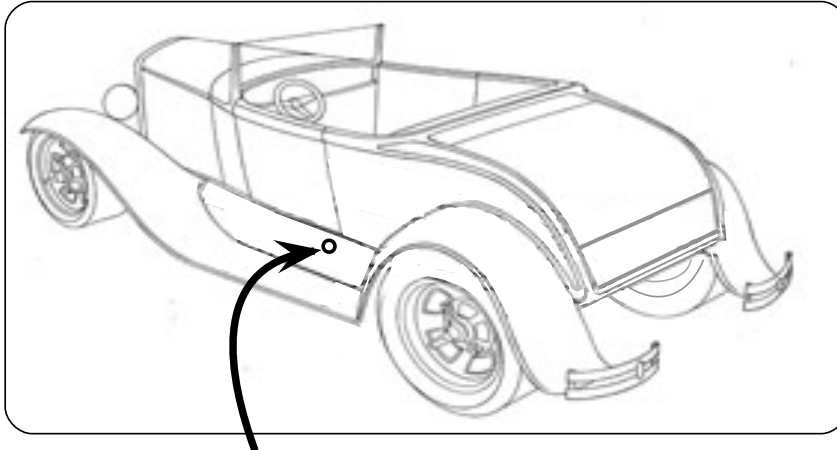


DISCLAIMER: The purchaser and/or his agent assumes all responsibility for the results of usage of the gas tank(s) supplied. Seller shall not be responsible for any consequential or incidental damages. Improper installation can cause damage to vehicle and/or death to occupants.

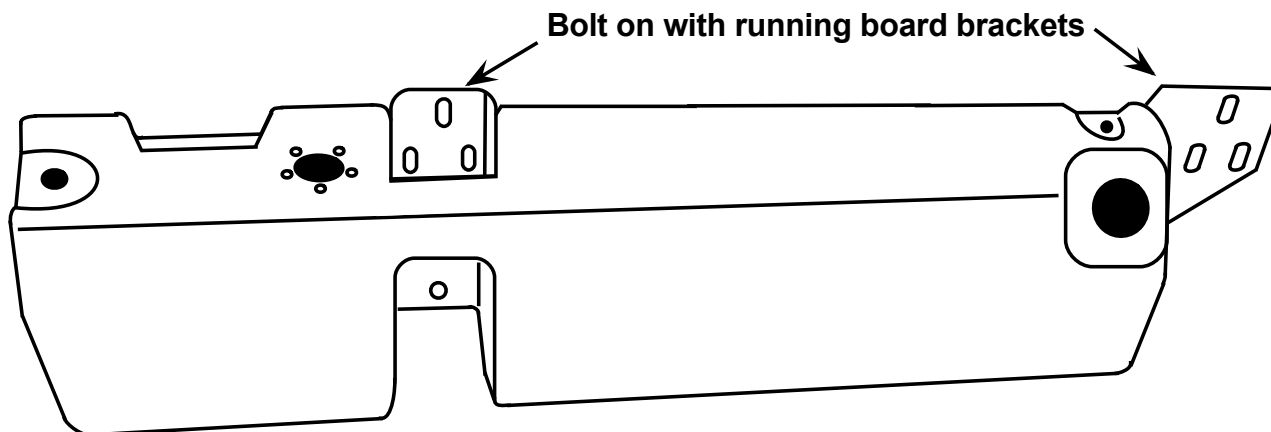
E-Z Fill Instructions ***"Saddle "A" Gas Tanks for Model A***



E-Z Install E-Z Fill

The E-Z Fill tanks bolt on with your running board brackets. After plumbing and wiring as per the instructions provided with your switchover valve:

- Bore a 1.5" diameter hole in your splash apron, being careful to line it up with the flapper door in the push-thru cap.
- Install the grommet and the billet cap plug. If the cap is a tight fit into the grommet, you can file out the apron hole to loosen it up.



- When filling your tank, simply pop out the E-Z cap and insert the pump- nozzle through your apron and the flapper-door in the push-thru cap.
- The flapper door is designed to minimize splash out, but it is not 100% sealed.
 - Do not fill your tank higher than the bottom of the cap.
 - Do not park uphill when the tanks are more than 3/4 full, as this will cause the level of fuel to rise above the flapper door and seep out.